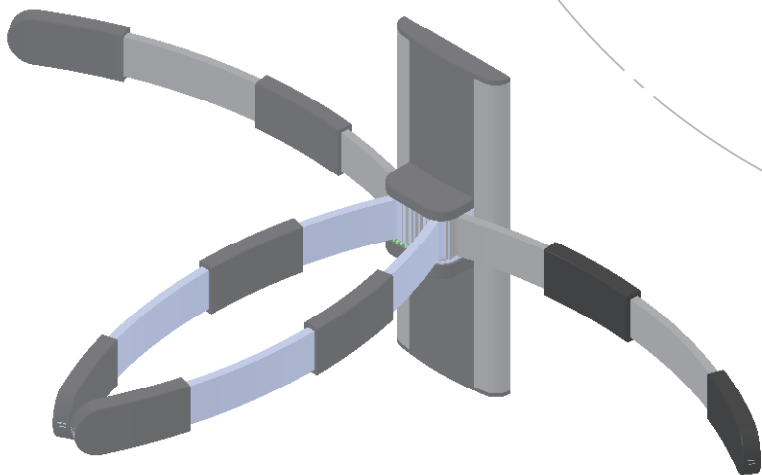
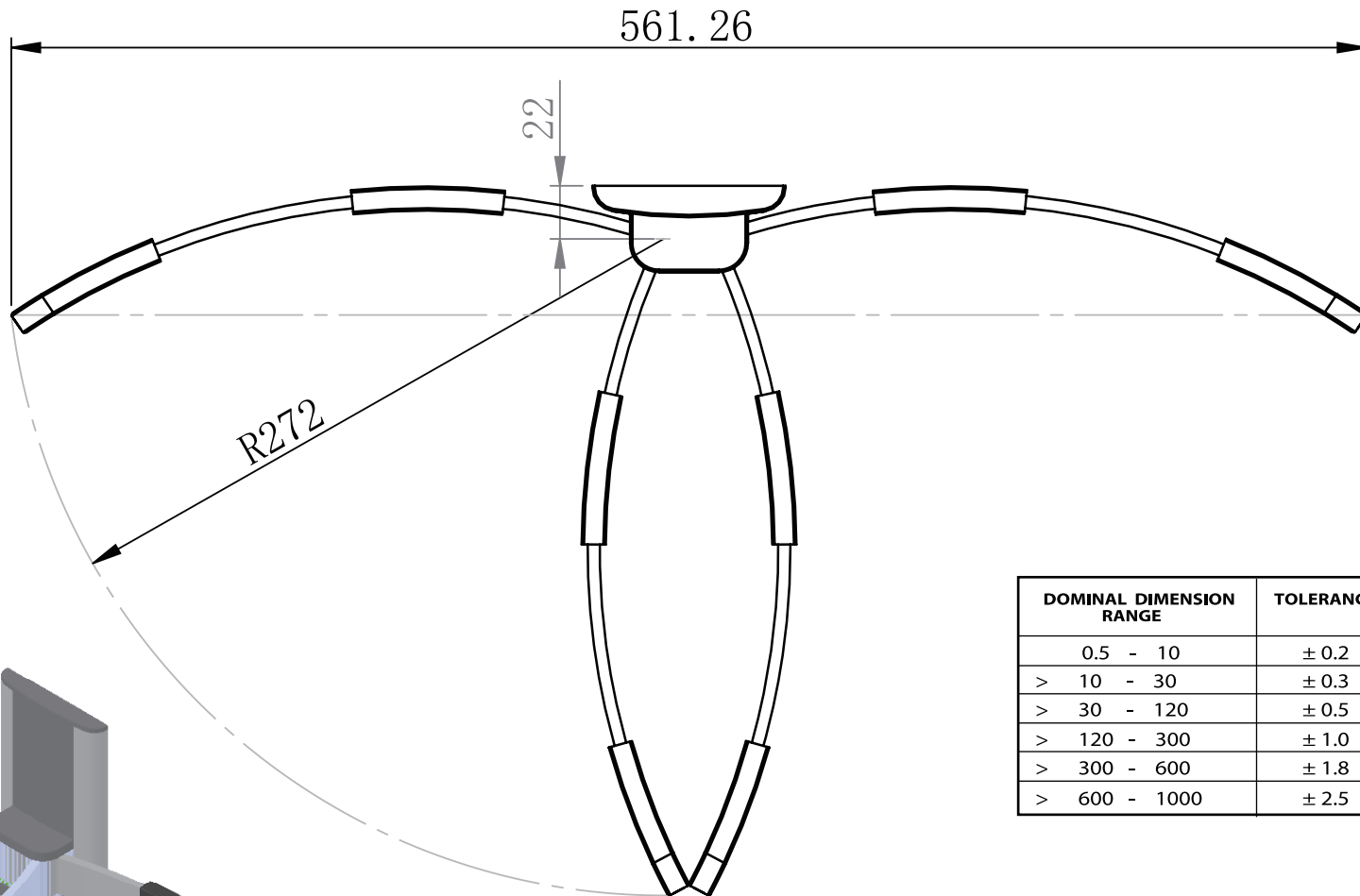


NOTES:

MATERIAL:

FINISH:

WEIGHT:



DOMINAL DIMENSION RANGE	TOLERANCE
0.5 - 10	± 0.2
> 10 - 30	± 0.3
> 30 - 120	± 0.5
> 120 - 300	± 1.0
> 300 - 600	± 1.8
> 600 - 1000	± 2.5

PROPRIETARY AND CONFIDENTIAL: THE INFORMATION CONTAINED IN THIS DRAWING IS THE SOLE PROPERTY OF CREATIVE CONCEPTS INTERNATIONAL. ANY REPRODUCTION IN PART OR AS A WHOLE WITHOUT THE WRITTEN PERMISSION OF CREATIVE CONCEPTS INTERNATIONAL IS PROHIBITED.



www.readysetmount.com

	NAME	DATE	READY • SET • MOUNT®	
DRAWN	Liangmingjun	2007-12-11	TITLE: <h1>CC-CS1B</h1> Fits most DVD's/Cable Boxes up to 20lbs.	
CHECKED				
ENG APPR.				
MFG APPR.				
Q.A.				
<h2>Universal Component Shelf</h2>			SCALE:	SHEET 1 of 1